

Invented for life



BOSCH

Demo Mode Set-up Guide





Demo settings – your on-site sales support. The right appliance presentation is the main element in the customer’s decision making. Live product demonstrations are a highly effective way to explain product benefits. To support live product presentations, many Bosch appliances feature a demo mode that allows customers to familiarize themselves with the functionality of our products without the aid of a salesperson.

On the following pages you will find the demo mode instructions for:

Dishwashers	4	Refrigeration	18
Wall Ovens	12	Washer	26
Built-In Microwave & Speed Oven	13	Dryer	28
100 Series Slide-in Ranges	14	Built-In Coffee Machine	30
Slide-in Ranges	15		
Drawer Microwave	16		

Dishwasher Demo Mode Instructions

Once In Demo Mode

The Appliance shall operate like normal operation.

Every program is selectable, but the program does not need the normal program time.

➡ **5 different variants** which differentiate in the duration and the included washing phases.

- Choose the cycle
- Press start
- Close the door

NOTE: The Demo Mode runtime is **much faster** than the displayed remaining time.



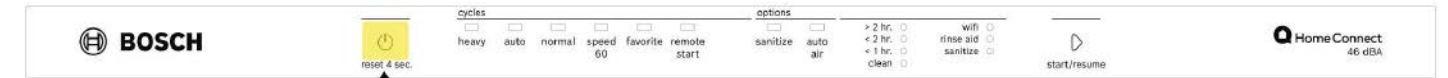
Not Included in Demo Mode

- Heating/Filling/Pump - demo Mode is programed to work without any water connection
- Rinse-Aid Lack Indicators
- Error Messages
- Machine-Care and Filter-Cleaning Reminders
- Auto Power Off Setting
- The appliance will not switch off after any program runs

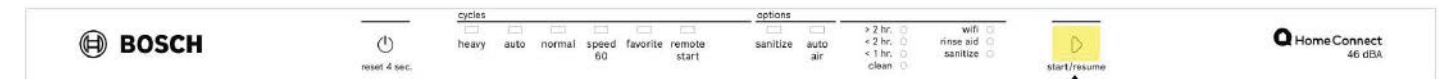
Dishwasher Demo Mode Instructions

For 100 / 300 / 500 Series

Enter Demo Mode



Switch off main power using "On/Off" button



Press and hold "Start" Button



Press "On/Off" and "Start" button for approximately 10 seconds until all LEDs start flash three times.

*If Demo Mode is activated all LEDs will flash 3 times when switching on the dishwasher.

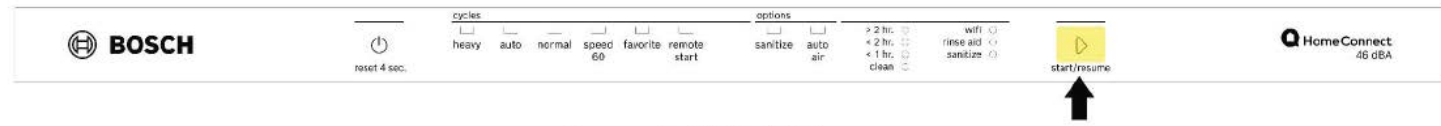
Dishwasher Demo Mode Instructions

For 100 / 300 Series

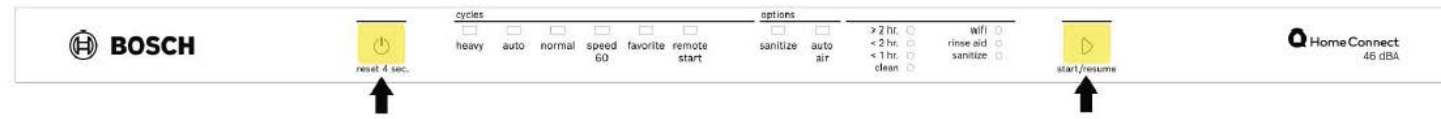
Exit Demo Mode



Switch off main power using "On/Off" button



Press and hold "Start" Button



Press "On/Off" and "Start" button for approximately 10 seconds until all LEDs start flash three times.

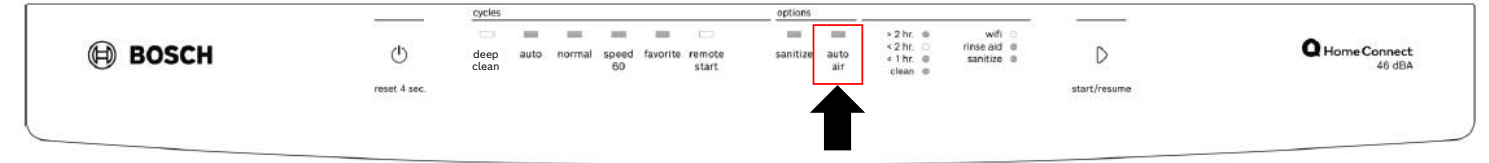
*The dishwasher will begin a factory reset when switched out of demo mode. The factory reset typically takes 1 minute.

100 Series Models:	SHE41CM5N	SHE41CM2N	SHE41CM6N	SHV41DB3N		
300 Series Models:	SHE43DM5N	SHE43DM2N	SHE43DM6N	SHS53CD5N	SHS53CD2N	SHE53C85N
	SHE53C82N	SHE53C86N	SHE53CE5N	SHX53DM5N	SHV53CM3N	
300 Series ADA Models:	SGE53C55UC	SGV43C53UC	SPE53C55UC			

Dishwasher Demo Mode Instructions

500 Series: Auto Air

- Drying Assistant shall behave like in all other programs.
- If the option is active, the door will open before Program End.



500 Series Models:	SHP65DM5N	SHP65DM2N	SHP65DM6N	SHX65DM5N	SHP95CM5N
---------------------------	-----------	-----------	-----------	-----------	-----------

Dishwasher Demo Mode Instructions

For 800 Series & Benchmark®

Enter Demo Mode



Switch off main power using "On/Off" button



Press and hold "Start" Button



Press "On/Off" and "Start" button for approximately 10 seconds until all LEDs start flash three times.

*If Demo Mode is activated all LEDs will flash 3 times when switching on the dishwasher.

Dishwasher Demo Mode Instructions

For 800 Series & Benchmark®

Exit Demo Mode



Switch off main power using "On/Off" button



Press and hold "Start" Button



Press "On/Off" and "Start" button for approximately 10 seconds until all LEDs start flash three times.

*The dishwasher will begin a factory reset when switched out of demo mode. The factory reset typically takes 1 minute.

800 Series Models:	SHP78CM5N	SHP78CM2N	SHP78CM6N	SHP78CM4N	SHX78CM5N	SHX78CM2N
	SHX78CM6N	SHX78CM4N	SHV78CM3N	SHP78DM5N	SHX78DM5N	SHV78DM3N
800 Series ADA Models:	SGX78C55UC	SGV78C53UC	SPE68C75UC	SPX68C75UC	SPV68C73UC	
Benchmark® Models:	SHP9PCM5N	SHX9PCM5N	SHV9PCM3N			

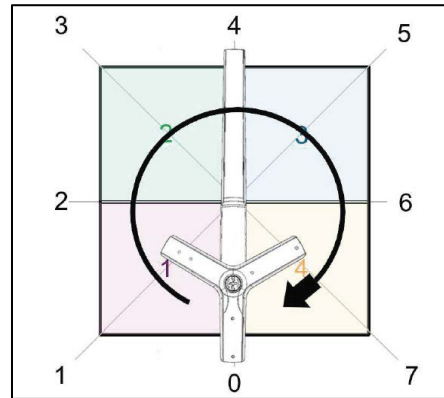
Dishwasher Demo Mode Instructions

PowerControl spray arm Demo – Open Door

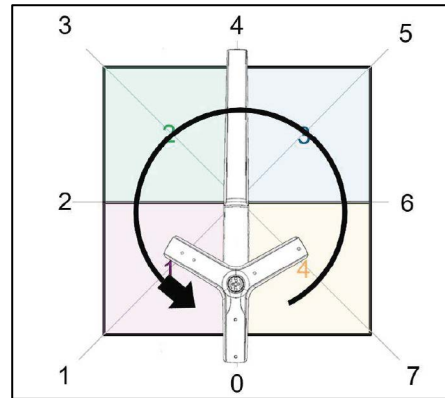
If the door is opened while in demo mode, the spray arm will move through a series of positions:

- The spray arm will move in clockwise & counter-clockwise directions to demonstrate the mechanical nature of how it is controlled, vs a traditional spray arm that is powered by water moving through it (hydraulic) and can only move in a single direction.
- The spray arm will also pause in different quadrants of the dishwasher to show how it is able to provide a precise, targeted clean in a specific areas of the dishwasher.

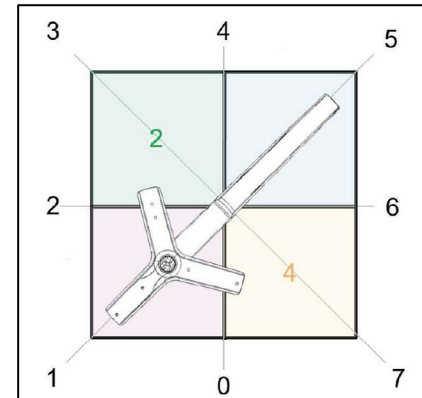
Below sequences shown in random order:



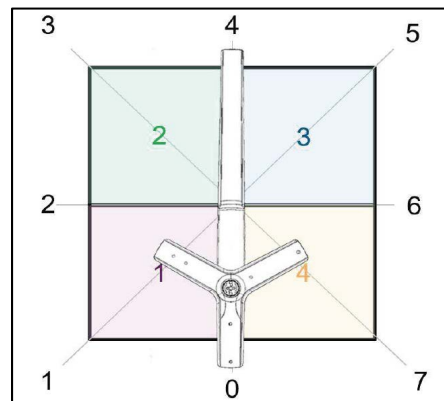
Clockwise rotation



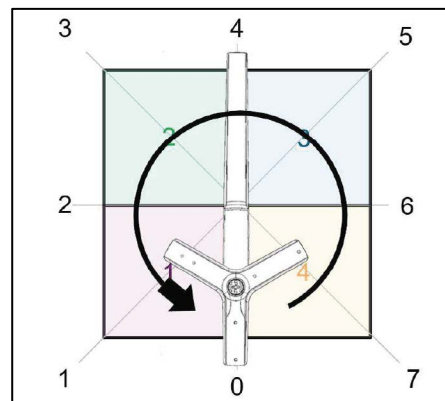
Counter-Clockwise rotation



Pause in Quadrant



Home Position



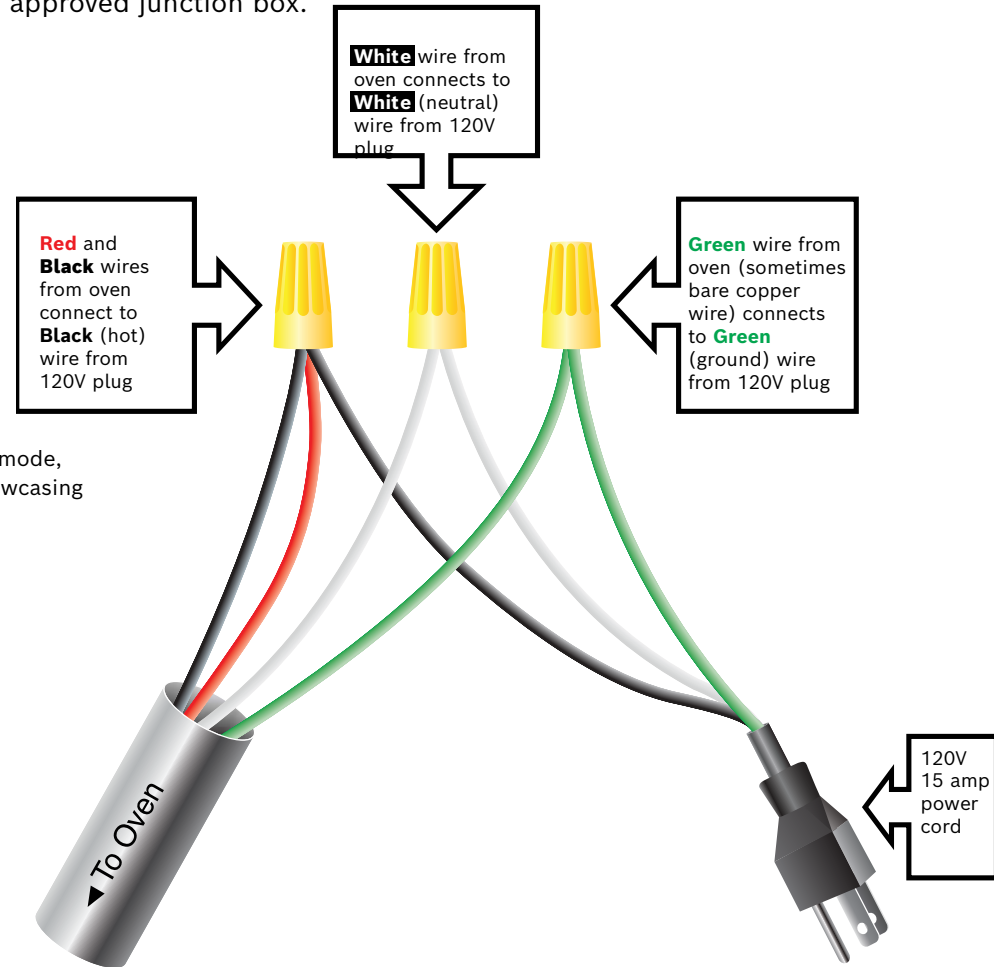
Pause in Quadrant

This page was intentionally left blank.

Wall Oven Demo Mode Instructions

Although the wall ovens require 208/240V to be fully operational, it is possible to demonstrate some of the features by connecting the oven to a 120V plug/outlet. In this manner, the product can be demonstrated without actually cooking in the oven.

The oven should be connected to 120V (as illustrated) by a qualified technician or electrician. All connections should be inside a NEC approved junction box.



In the **Benchmark™** ovens in demonstration mode, the display will feature a series of **slides** showcasing the product **highlights**.

To activate the slide show:

1. Press Settings.
2. Follow the directions on the display screen and scroll through the menu options.
3. Highlight menu option Demo Mode.
4. Change the setting to **On**, then press Enter to confirm.
(To turn Demo mode off, repeat steps 1 – 3, change the setting to **Off**, and press <Enter> to confirm.)

Comments (All Series)

- The display will work normally. Lights, fans, and latch motor will operate. The elements will not operate.
- The clock will be visible, but may not keep accurate time.
- Combination ovens (Benchmark Series):
 - At 120V: The microwave needs to be disconnected from the oven, otherwise a 30A circuit is needed. The steam oven needs to be disconnected from the oven.
 - At 208/240V: The Demo Mode can be set for the steam oven and wall oven via settings menu.
- Combination ovens (500/800 Series):
 - At 120V: The microwave needs to be disconnected from the oven, otherwise a 30A circuit is needed.
 - At 208/240V: Oven will be fully functional, there will be no Demo Mode capability available. The speed microwave can be placed into demo mode by pressing Start/Enter + Clear/Off.

Models:	HBL5351UC	HBE5453UC	HBL5455LUC	HBL5451UC	HBL5455RUC	HBL5651UC	HBL57M52UC
	HBL8443UC	HBL8453UC	HBL5754UC	HBL8642UC	HBL8651UC	HBL8743UC	
	HBL8753UC	HBL87M53UC	HBLP451LUC	HBLP451UC	HBLP651LUC	HBLP651RUC	
	HBLP651UC	HBLP752UC	HBN8451UC	HBN8651UC	HBL5344UC	HBL8454UC	
	HBLP454UC	HBL5754UC					

Benchmark® / 800 / 500 Built-in Microwave and Speed Ovens Demo Mode Instructions

IMPORTANT:

At 208/240V the Demo Mode can be set for speed ovens and 120V for built-in microwaves via the steps provided below, otherwise the elements will get warm.

To activate the **Benchmark®** speed ovens in demonstration mode:

1. Press Settings during stand-by mode.
2. Press Demo mode (7)
3. Change the setting to **On**, then press **Enter** to confirm.
(To turn Demo mode off, repeat steps 1-3, change the setting to **Off**, and press **Enter** to confirm.)

To activate the **800 / 500** speed ovens and built-in microwaves in demonstration mode:

1. Press **Clear/Off** and **Start/Enter** together at the same time, and hold for more than 4 seconds
2. Display will show Demo Mode once demo mode is activated.
(To turn Demo mode off, repeat steps 1-2.)

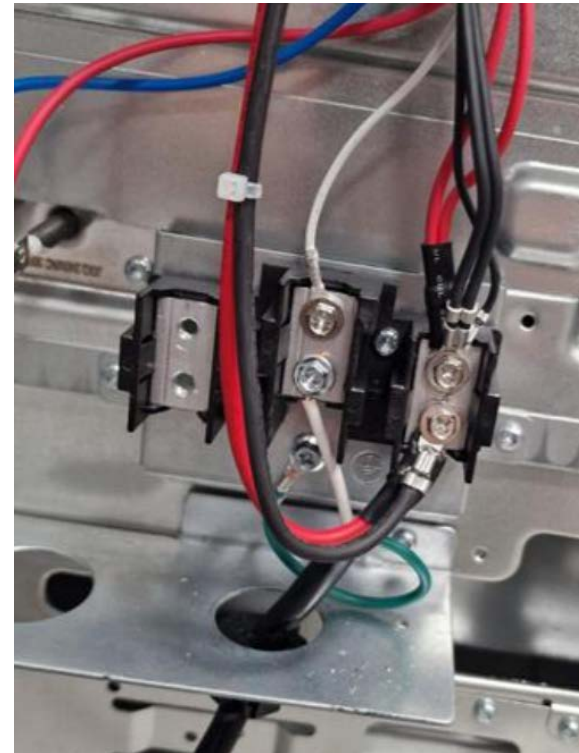
Models:	HMB50152UC	HMB57152UC	HMC54151UC	HMC80152UC	HMB30155UC
	HMC80242UC	HMC80252UC	HMC87152UC	HMCP0252UC	

New 100 Series Dual Fuel & Induction Slide-in Range Demo Mode Instructions

Although the Slide-in Ranges require 208/240V to be fully operational, it is possible to demonstrate some of the features by connecting the range to a 120V plug/outlet. In this manner, the product can be demonstrated without actually cooking in the oven.

Instructions:

1. Remove the wiring access panel.
2. Remove the grounding strap between the center terminal lug and the green screw (discard strap only).
3. Connect the green wire from the power cord to the chassis via the green screw.
4. Connect the white wire from the power cord to the center terminal lug.
5. Create a wire jumper to bridge the red and black terminal (minimum 18 awg wire).
6. Connect the black wire from the power cord to the black terminal lug.



To Enter Demo Mode:

Directly after connecting the appliance to electricity, press buttons in the sequence:

1. **On**
2. **Pizza**
3. **Quick meal**
4. **9 (on number pad)**

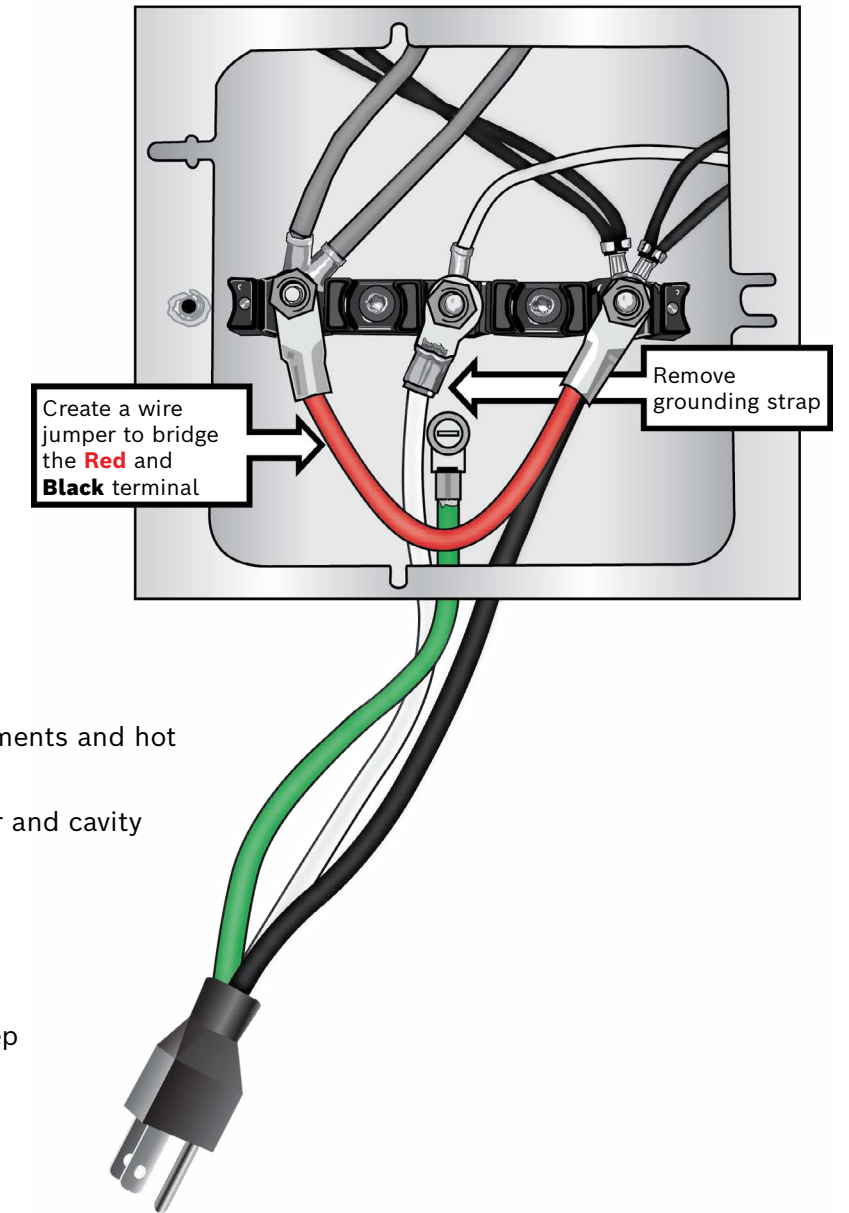
Models:	HEF1050MU	HGF1050MUC
----------------	-----------	------------

Slide-in Range Demo Mode Instructions

Although the Slide-in Ranges require 208/240V to be fully operational, it is possible to demonstrate some of the features by connecting the range to a 120V plug/outlet. In this manner, the product can be demonstrated without actually cooking in the oven.

Instructions:

1. Remove the wiring access panel.
2. Remove the grounding strap between the center terminal lug and the green screw (discard strap only).
3. Connect the green wire from the power cord to the chassis via the green screw.
4. Connect the white wire from the power cord to the center terminal lug.
5. Create a wire jumper to bridge the red and black terminal (minimum 18 awg wire).
6. Connect the black wire from the power cord to the black terminal lug.



Comments

- With this setup, the cooktop cooking elements and hot indicator lights will not operate.
- The oven user interface, fans, latch motor and cavity lighting will operate.
- The warming drawer will operate.
- The warming zone (on electric cooktop) will operate.
- The clock will be visible, but may not keep accurate time.
- Sabbath Mode can be demonstrated.

Models:	HGF1050MUC	HGI8046UC	HGI8056UC	HGIP056UC	HDI8056U	HDIP056U	HEF1050MUC
	HEI8046U	HEI8056U	HEIP056U	HII8047U	HII8057U	HIIP057U	

Drawer Microwave Demo Mode Instructions

800 Series model - HMD8054UC, HMD8454UC

To Enter Demo Mode:

1. Touch settings pad 5 times; the display will show:



2. Hold Start (+1 min) pad for 3 seconds; the display will show:



To Cancel Demo Mode:

1. Touch settings pad five times; the display will show:



2. Touch Start (+1 min) pad; the display will show:



Note:

- Drawer Microwave doesn't heat in Demo Mode.
- Display counts down quickly.

This page was intentionally left blank.

Models:	HMV3054U	HMV5053U	HMV8045U	HMV8054U	HMVP054U
----------------	----------	----------	----------	----------	----------

Refrigeration Demo Mode Instructions

33" 100 Series Counter Depth

To Enter Demo Mode:

Press the **Power Button** and the **Ice Button** at the same time for **3 seconds**, then you can see the whole control panel light up for **1 second**.



To Exit Demo Mode:

Press the **Power Button** and the **Ice Button** at the same time for **3 seconds**, then you can see the whole control panel light up for **1 second**.



NOTE: The Demo Mode stays on even if the refrigerator powers off. If the consumers enter the mode with unintentional operation, you should exit it as soon as possible, since the refrigerator will not cool in this mode which will cause the food to spoil.

Models B33CM10SNS

Refrigeration Demo Mode Instructions

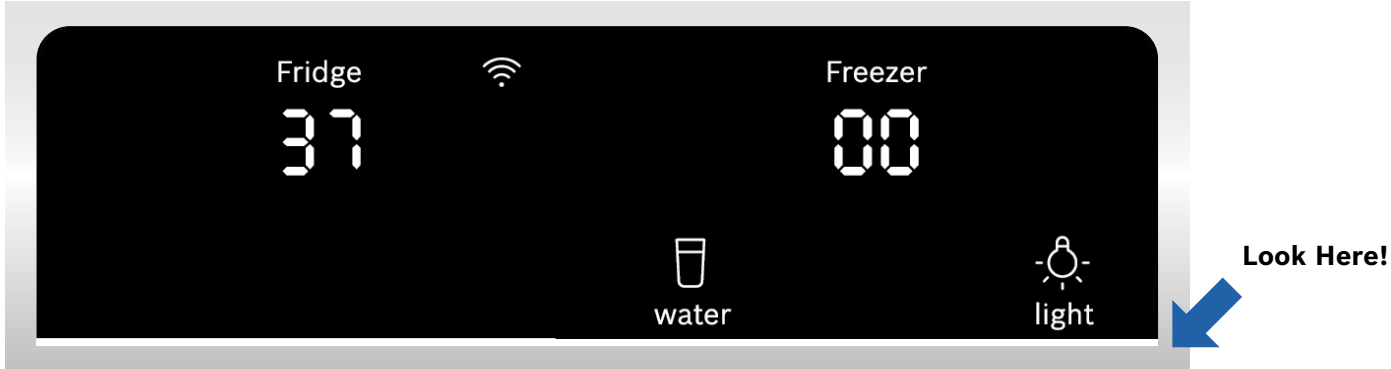
36" Freestanding French Door Refrigerators with External Ice and Water Dispenser

Step 1

Plug in your new Bosch refrigerator.

Step 2

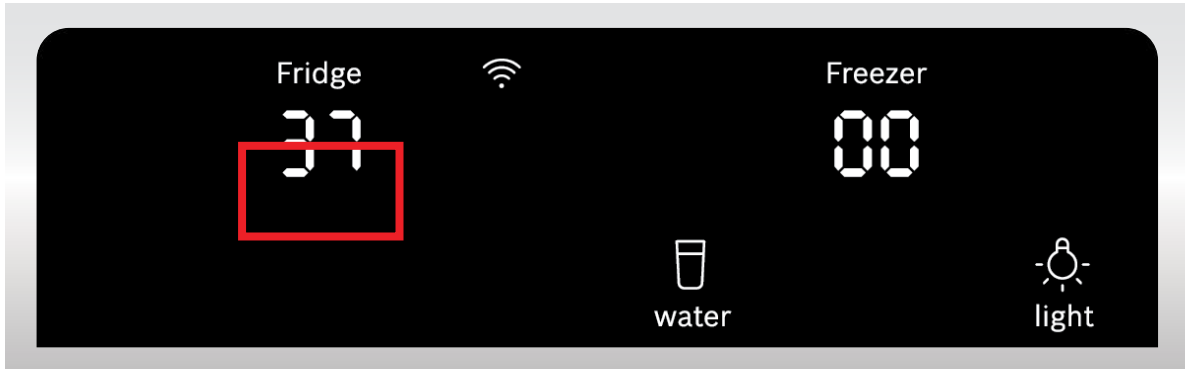
Once your refrigerator is plugged in, the control panel on the front will start to illuminate with a bar of light that will move left to right letting you know it's starting up and powering on. See below. This is normal and should take about 60 seconds.



NOTE: You will know the unit is ready once you hear a beep inside the dispenser, the light bar has stopped illuminating and the controls on the dispenser have illuminated.

Step 3

Once the controls are fully illuminated, touch the Fridge temperature (this will be located on the left side). See below.

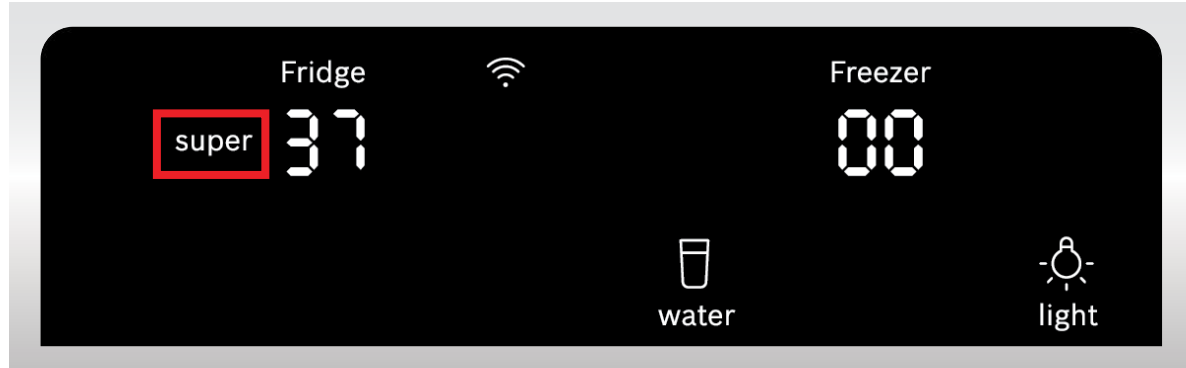


Refrigeration Demo Mode Instructions

36" Freestanding French Door Refrigerators with External Ice and Water Dispenser

Step 4

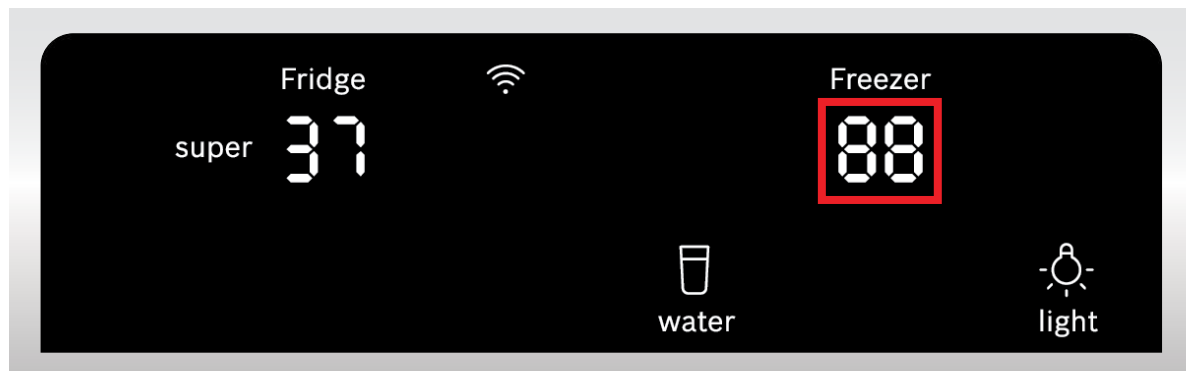
Once selected, then press and hold the “**Super**” button to the left of the fridge temperature for about **8–10 seconds**. See below.



Step 5

After you hear a beep, the freezer temperature should display the number “**88**”. This would indicate you are now in demo mode. See below.

NOTE: The number **88** will only be shown for a few seconds and then return to “**0**”. This is normal.



Models:	B36CD10ENS	B36CD30ENS	B36CD52SNB	B36CD52SNS	B36CD80SNS
	B36FD10ENS	B36FD31ENS	B36FD52SNB	B36FD52SNS	B36FD54SNS

Refrigeration Demo Mode Instructions

36" French Door Refrigerators with Internal Water Dispenser and Ice Maker

To Enter Demo Mode:

1. Plug in unit and power up unit
2. Within 10 seconds press and hold “**Alarm Off**” button
3. Within the first 15 seconds, you should hear **3 beeps**. Release the “**Alarm Off**” button after you hear **3 beeps**
4. Alarm Off should be illuminated indicating the refrigerator is in demo mode

NOTE: Demo mode must be activated within the first 15 seconds of turning on the unit. If you see “**99**” in the freezer temperature display, you must restart the process after 10 minutes.

During Demo Mode:

1. The cooling functions are disabled
2. Control Panel display, LED interior lighting, compartments and buttons will function normally

To Exit Demo Mode:

1. Re-start the unit if running.
2. Power up unit and let run for at least **30 seconds**
3. After the first 30 seconds, press and hold the “**Alarm Off**” button
4. Within the first 15 seconds, you should hear **3 beeps**. Release the “**Alarm Off**” button after you hear **3 beeps**
5. Alarm Off illumination will turn off. Normal operations will begin.



Models	B36CL80ENS	B36CL80SNS	B36CL81ENG	B36CL81ENW	B36CT80SNB	B36CT80SNS
--------	------------	------------	------------	------------	------------	------------

Refrigeration Demo Mode Instructions

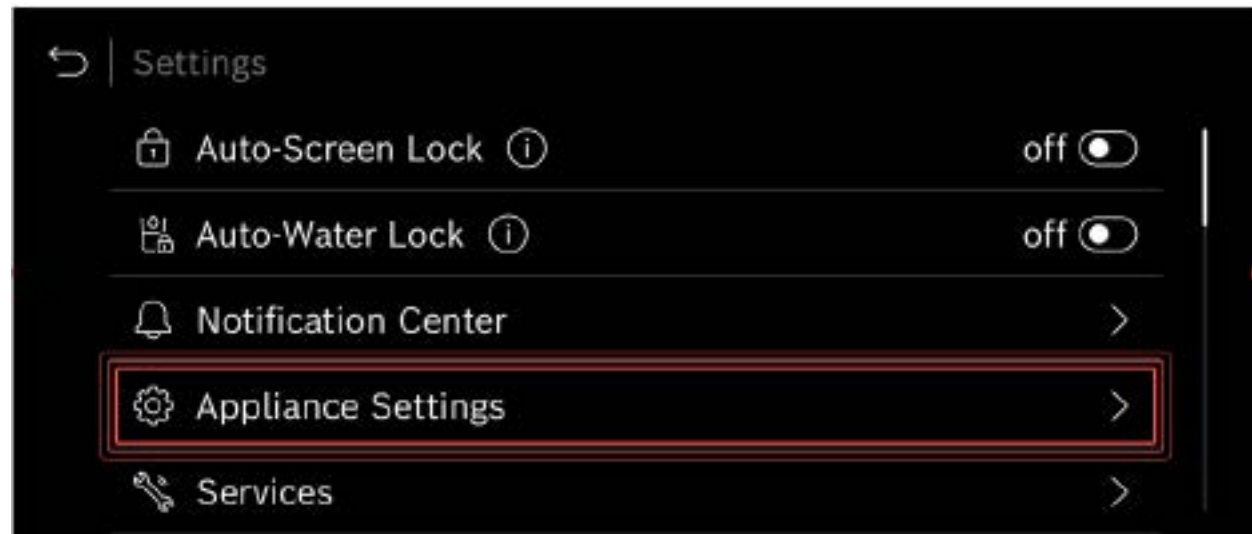
Benchmark® Series Built-In Bottom Freezer

To Enter Demo Mode:

1. Power On the appliance or restart the appliance by pressing and releasing the **on/off** button located at the top of the appliance. Wait **1 minute**, then press and release once more. After a few moments the display will light up again.
2. Within **3 minutes** of starting the appliance, from the **Home Screen**, navigate to the Settings by clicking the **3 dots** on the right top corner.



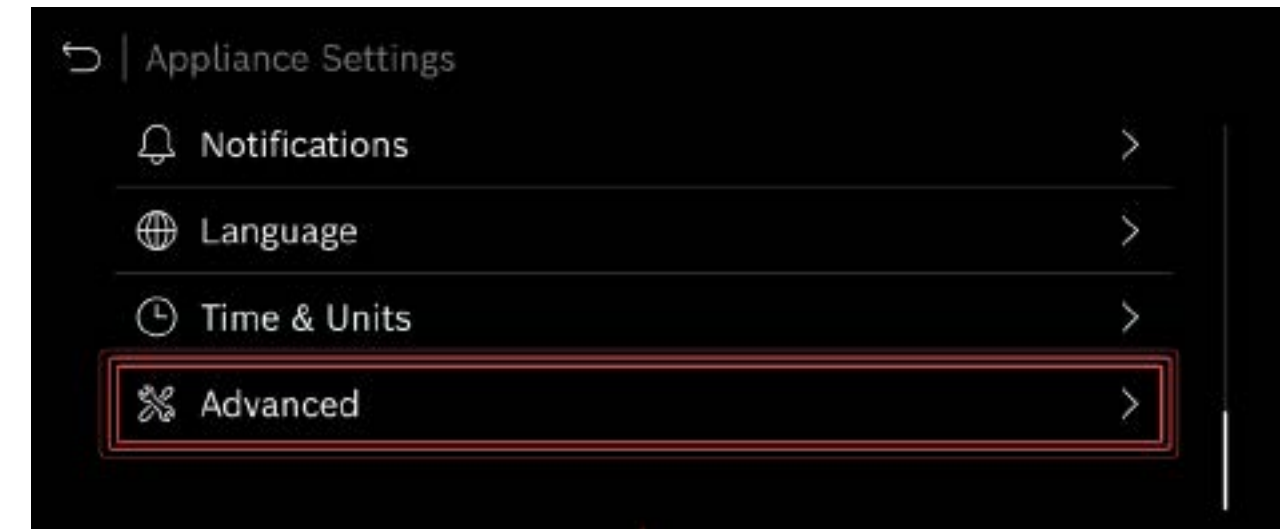
3. From the settings menu, locate and tap on the Appliance Settings section.



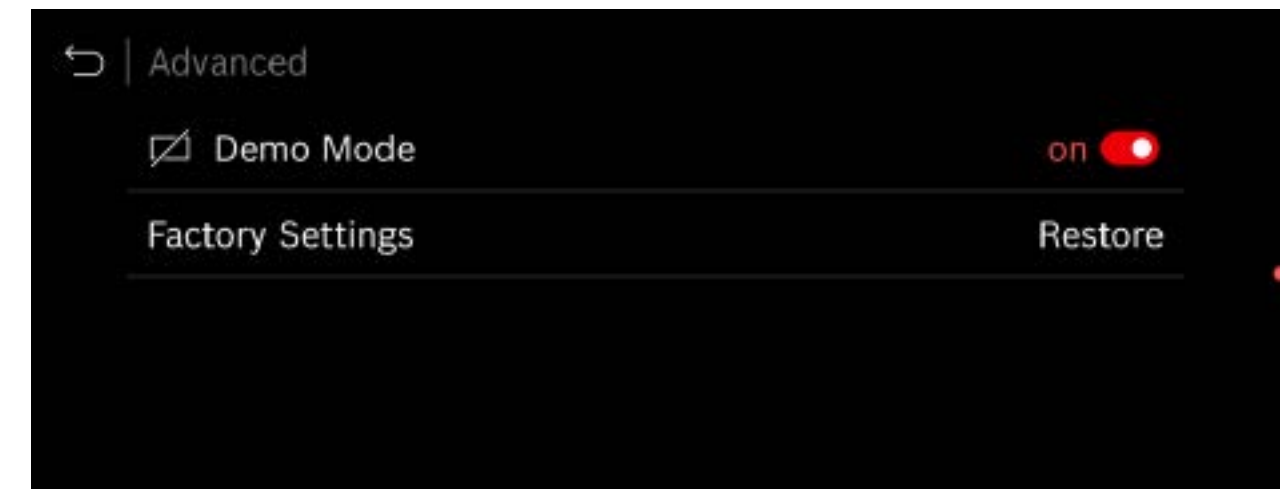
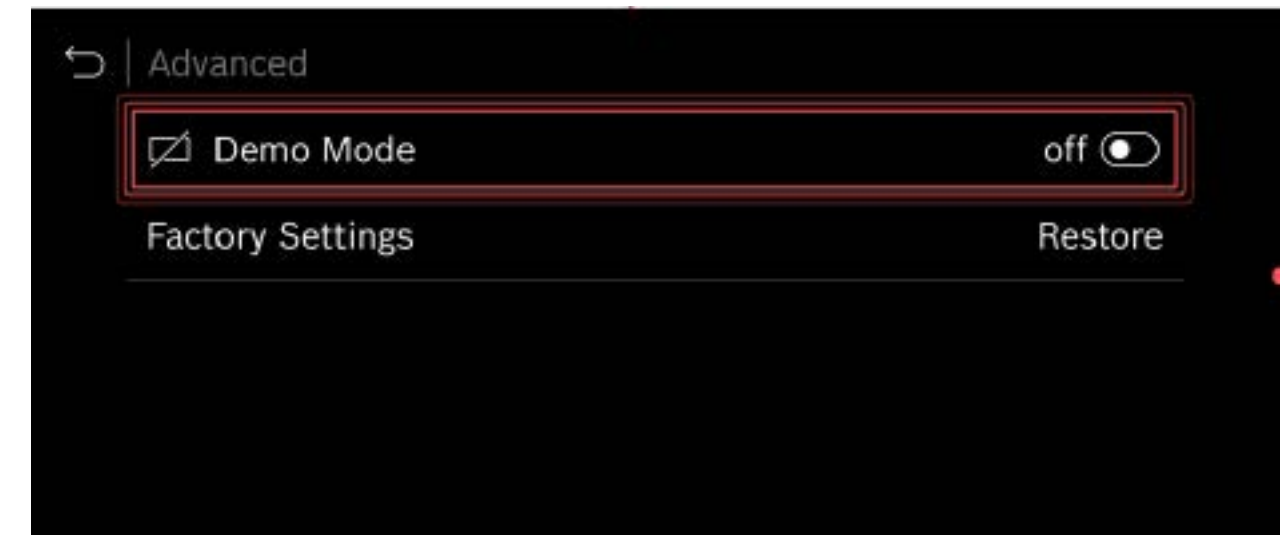
Refrigeration Demo Mode Instructions

Benchmark® Series Built-In Bottom Freezer

4. From the Appliance Settings menu, locate and tap on the Advanced section.



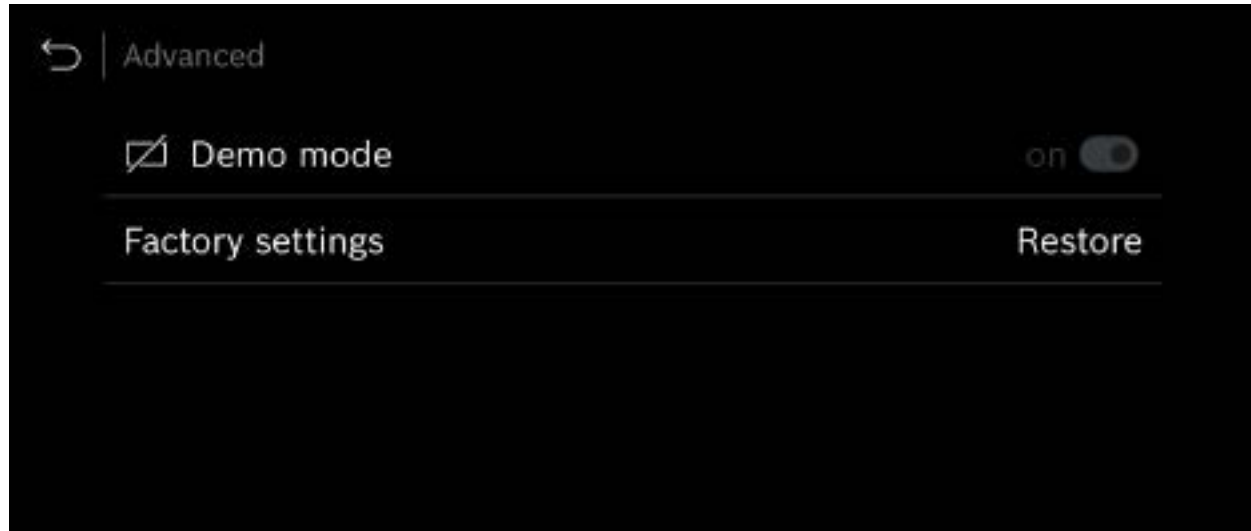
5. From the Advanced menu, use the toggle next to Demo Mode to enable it.



Refrigeration Demo Mode Instructions

Benchmark® Series Built-In Bottom Freezer

6. If demo mode is activated within **3 minutes of restarting** the appliance, the toggle button will become disabled—but remain in the 'on' position—once the 3-minute window has passed. The option to exit Demo Mode via settings will no longer be possible. User must turn the appliance **off/on** to deactivate demo mode.



To Exit Demo Mode:

1. Restart the appliance by pressing and releasing the **on/off** button located at the top of the appliance. Wait **1 minute**, then press and release once more. After a few moments the display will light up again.
2. User can deactivate demo mode during the **first 3 minutes** after switching on the appliance. If the demo mode was activated before restarting the appliance, then it will be active after the restart as well.



Refrigeration Demo Mode Instructions

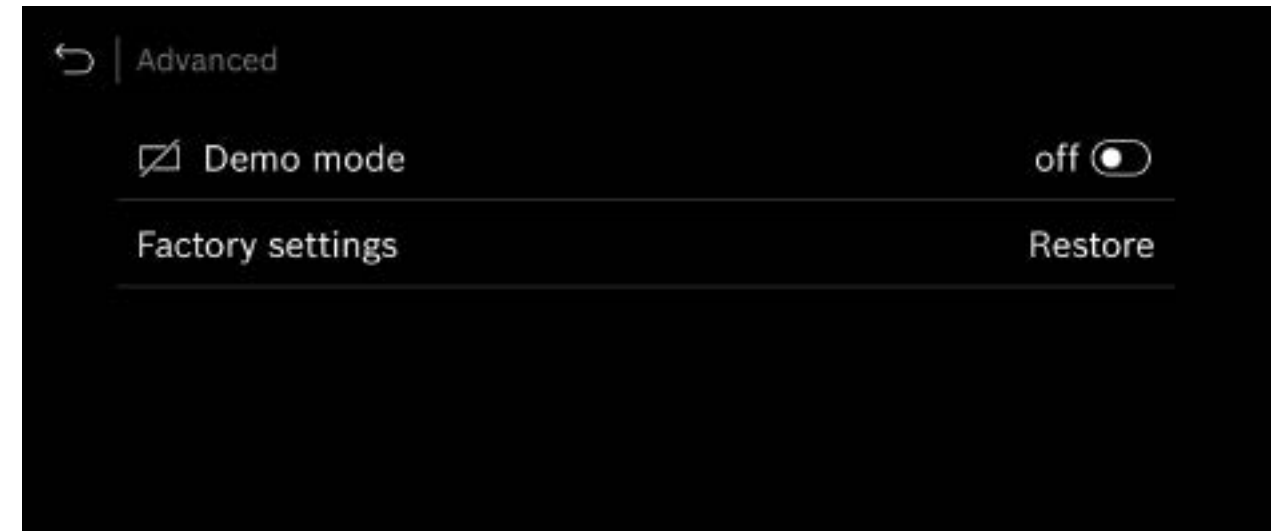
Benchmark® Series Built-In Bottom Freezer

3. Therefore the user has to enter settings and deselect the Demo mode toggle by pressing it within **3 minutes** (*the toggle is enabled as default and needs to be deselected*).

4. Enter Settings



5. Deselect the toggle. Demo Mode will be disabled.



Models	B30BB130SS	B30IB100SP	B36BT130NS	B36IT100NP
---------------	------------	------------	------------	------------

Washer Demo Mode Instructions

300 Series Washers

Starting Point: ready state after appliance switches on

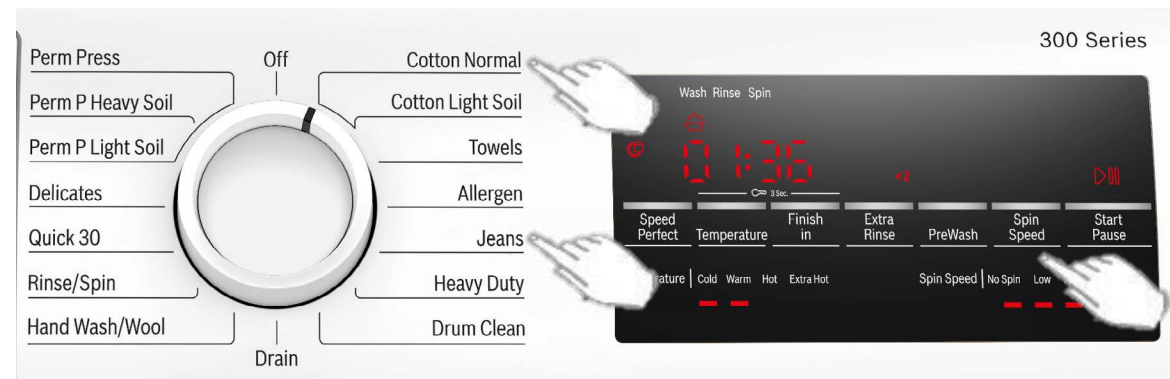
To Enter Demo Mode:

1. Select Program 1 (in this example: Cotton Normal)
2. Press and hold **Spin Speed**
3. Select **Program 5** (in this example: Jeans)
4. Release **Spin Speed**

Successful activation of the demo mode will be confirmed when all LEDs light up

The machine will then slowly cycle through different program and option scenarios

NOTE: Activation of the demo mode is only possible within 30 sec after booting the appliance



To Exit Demo Mode:

1. Use the dial to power off the machine.

The 300 Series Washer demo mode is not interactive. Machine will slowly cycle through different program and option scenarios.

General Note:
The 300 Series dryers do not have a demo mode option.

Models: WGA12400UC WGA14400UC

Washer Demo Mode Instructions

500 and 800 Series Washers

Starting Point: ready state after appliance switches on. Appliance will be started with first program activated (in this example: Cotton)

To Enter Interactive Demo Mode:

1. Press and Hold **Spin**
2. Activate program **position 5** (in this example: Sanitize)
3. Release **Spin**

Successful activation of the demo mode will be confirmed with “SHOP” in display

NOTE: Activation of the demo mode is only possible within 30 sec after booting the appliance



To Exit Interactive Demo Mode:

1. **Switch on** the appliance
2. Wait until **ready state** is shown
3. **Press any button** (but not start button)
4. Press and Hold **Start** Button for 5 sec

Successful deactivation of the demo mode will be confirmed with “OFF” in display

NOTE: Only possible within 30 Sec after within 30 sec after booting the appliance

Interactive Demo Mode will use animations to show user interaction concept, when appliance is not used; When user interacts with appliance, usual UI is shown and can be used for test reasons; Pressing start button will start program animation instead of starting washing cycle.

General Note:
Interactive Demo mode **WILL NOT BE DEACTIVATED** by switching off the appliance or after main black out.

Models: WGB24600UC WGB246AXUC

Dryer Demo Mode Instructions

500 and 800 Series Dryers

Starting Point: ready state after appliance switches on. Appliance will be started with first program activated
(in this example: Cotton)

To Enter Interactive Demo Mode:

1. Press and Hold **Iron Dry**
2. Activate program **position 5** (in this example: Sanitize)
3. Release **Iron Dry**

Successful activation of the demo mode will be confirmed with “**SHOP**” in display

NOTE: Activation of the demo mode is only possible within 30 sec after booting the appliance



This page was intentionally left blank.

To Exit Interactive Demo Mode:

1. **Switch on** the appliance
2. Wait until **ready state** is shown
3. **Press any button** (but not start button)
4. **Press and Hold Start** Button for 5 sec

Successful deactivation of the demo mode will be confirmed with “**OFF**” in display

Note: Only possible within 30 Sec after within 30 sec after booting the appliance

Interactive Demo Mode will use animations to show user interaction concept, when appliance is not used; When user interacts with appliance, usual UI is shown and can be used for test reasons; Pressing start button will start program animation instead of starting washing cycle

General Note:
Interactive Demo mode **WILL NOT BE DEACTIVATED** by switching off the appliance or after main black out.

Models: WQB245B0UC WQB245AXUC

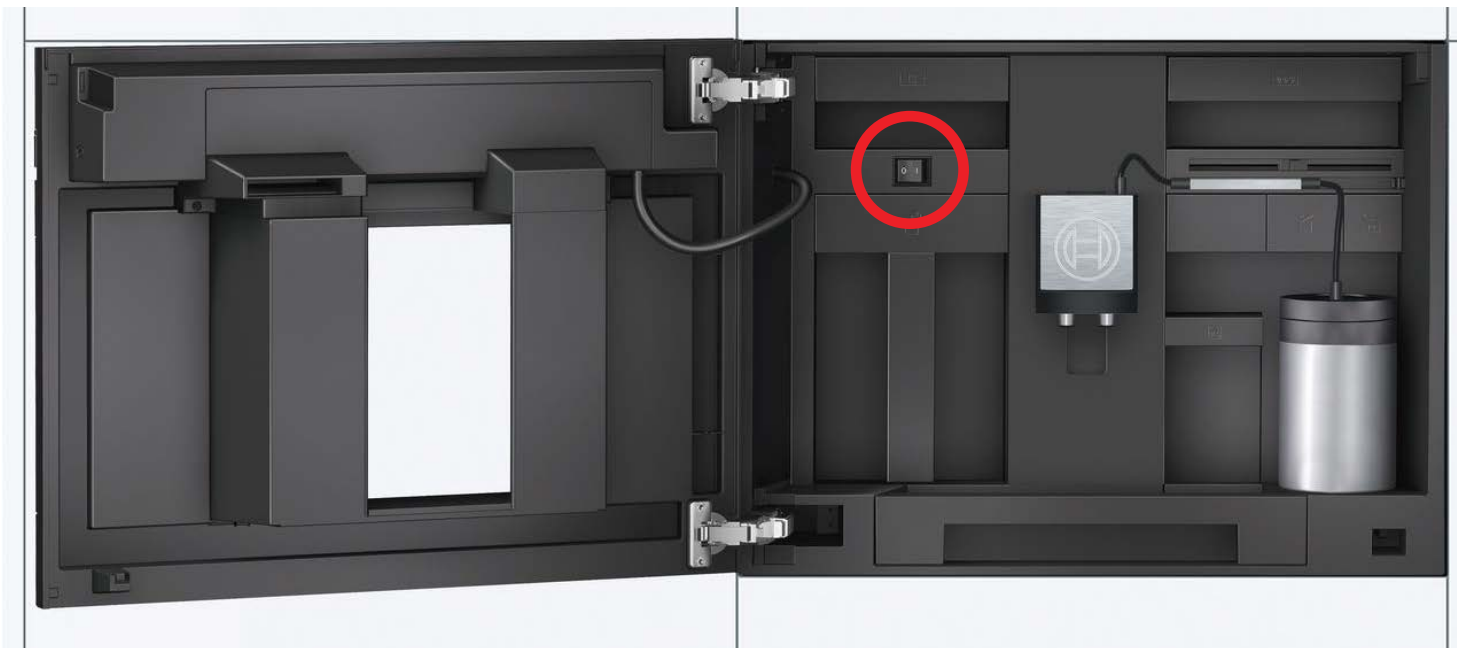
Built-In Coffee Machine Demo Mode Instructions

800 Series Built-In Coffee Machine

NOTE: Demo Mode is only visible in Settings for two (2) minutes after turning on the appliance with the main switch (located behind the main door).

To Enter Demo Mode:

1. Open the appliance door. The main switch is located inside, towards the upper left part and above the water tank. Set the main switch to “I”. If the main switch was set to “I” already, please set it to “O” and back to “I”.
2. Close the appliance door. Wait until the appliance display boots.



Built-In Coffee Machine Demo Mode Instructions

3. Press the Settings button on the control panel.

4. Navigate to the Demo Mode setting. Remember, Demo Mode is only available for a few minutes after switching the appliance on.

5. Use the rotary knob to change the Demo Mode setting from “Off” to “On”.

6. Save your changed when asked.

7. The activated demo mode will be signaled in the lower left corner of the display and consist of an interactive mode.

To Exit Demo Mode:

Simply set Demo Mode from “On” to “Off” back within the Settings menu. Turning off the appliance will not terminate demo mode.



Models: BCM8450UC

Invented for life



Bosch Home Appliances
1901 Main Street, Suite 600
Irvine, CA 92614
1.800.944.2904
www.bosch-home.com/us (U.S.)
www.bosch-home.ca (Canada)