

30" Gas Cooktop



Benchmark™ Series – Stainless Steel NGMP059UC



NGMP058UC
Stainless Steel

The Benchmark™ Series gas cooktop with FlameSelect® is a better way to cook with gas and delivers precision flame levels for consistent results.

Features & Benefits

FlameSelect® offers 9 distinct power levels and delivers precision flame height every time for consistent, repeatable results.

Digital display indicates the power level selected and informs you of the burner's residual heat.

Dual-ring power burner has 2 rings for low and high flame settings so you can go from simmer to sear with ease.

Dishwasher safe heavy-duty enameled cast iron grates makes cleanup simple and convenient.

OptiSim® burner offers more flame control at the lowest settings for precise simmering and melting.

Properties	
No. of burners	5
Knob color	Stainless Steel Appearance
Control location	Front-center
Sealed burners	Yes
Valves	Five 9-level gas step valves
Ignition system	Electronic; thermocouple flame monitor control
Cooktop surface material	Stainless steel
Grate material	Cast iron
Grate features	Continuous grates, dishwasher safe

Element Performance	
Total BTU load (NG / LP)	43,750 / 36,800
Power of front left burner (NG / LP)	3,400 / 3,400
Power of back left burner (NG / LP)	6,000 / 6,000
Power of center burner (NG / LP)	18,050 / 11,100
Power of back right burner (NG / LP)	10,300 / 10,300
Power of front right burner (NG / LP)	6,000 / 6,000

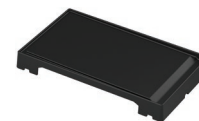


Technical Details	
Circuit breaker	15 A
Volts	120 V
Frequency	60 Hz
Plug type	3-prong
Power cord length	40"
Energy source	Natural Gas (factory set)
Convertible to LP (kit required)	Yes

Dimensions & Weight	
Overall appliance dimensions (HxWxD)	4 1/2" x 31" x 21 1/4"
Required cutout size (HxWxD)	2" x 28 15/16" x 19 1/8"
Minimum distance from counter front	1 7/8"
Minimum distance from rear wall	3"
Net weight	51 lbs.

Accessories—Included	
Included	LP Conversion Kit, OptiSim® Cap

Accessories—Optional



HEZ9GR58UC
Giddle



HEZ298102
Wok Ring

*To be fully ADA compliant, these units must be installed according to ADA guidelines. Please check current ADA requirements for guidance on installation.

Accessories: To purchase Bosch accessories, cleaners & parts please visit www.bosch-home.com/us/store or call 1-800-944-2904 (Mon to Fri 5 am to 6 pm PST, Sat 6 am to 3 pm PST).

Notes: All height, width and depth dimensions are shown in inches. BSH reserves the absolute and unrestricted right to change product materials and specifications, at any time, without notice. Consult the product's installation instructions for final dimensional data and other details prior to making cutout.

Warranties: Please see Use & Care manual or Bosch website for statement of limited warranty.

For more information on our entire line of products, go to www.bosch-home.com/us or call 1-800-944-2904

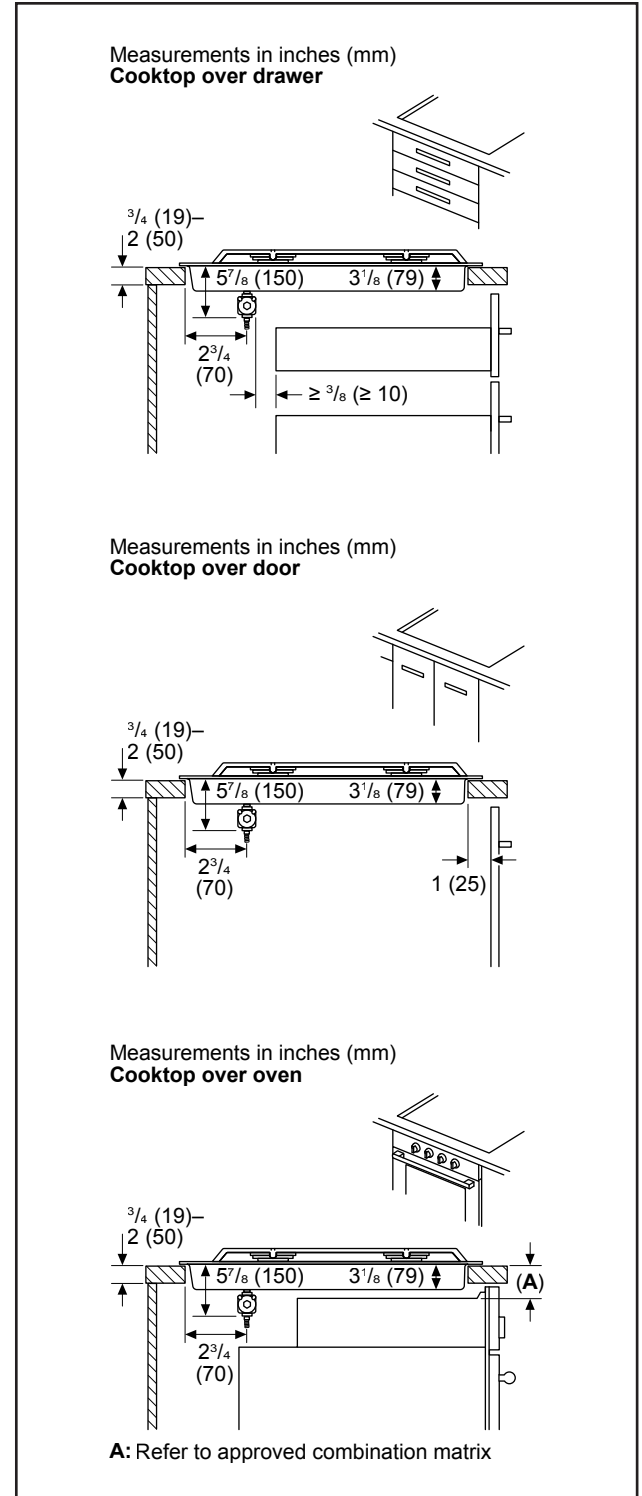
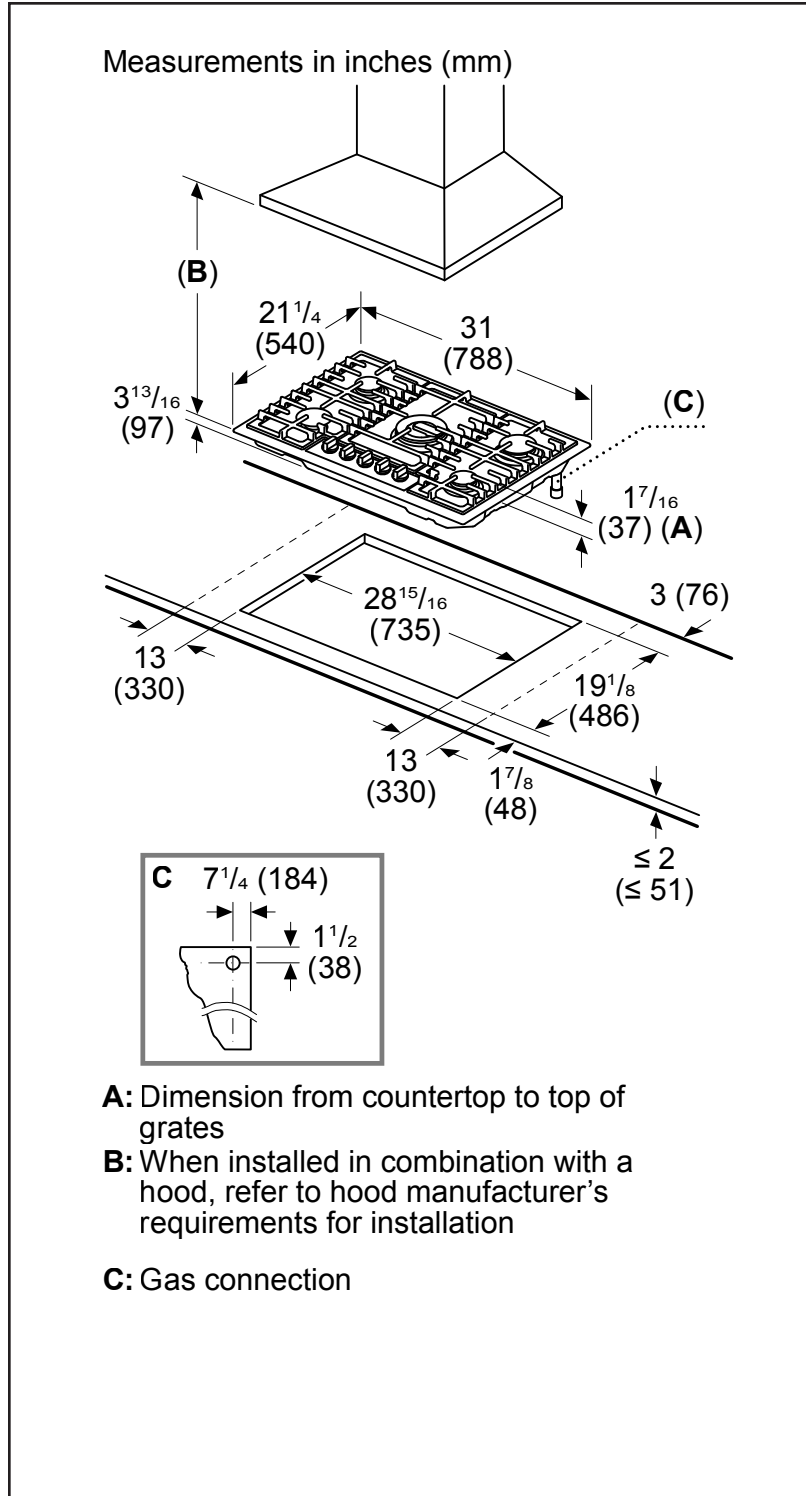
© BSH Home Appliances Corporation. All rights reserved. Bosch is a registered trademark of Robert Bosch GmbH.

30" Gas Cooktop



Benchmark™ Series – Stainless Steel NGMP059UC

Installation Details



Accessories: To purchase Bosch accessories, cleaners & parts please visit www.bosch-home.com/us/store or call 1-800-944-2904 (Mon to Fri 5 am to 6 pm PST, Sat 6 am to 3 pm PST).

Notes: All height, width and depth dimensions are shown in inches. BSH reserves the absolute and unrestricted right to change product materials and specifications, at any time, without notice. Consult the product's installation instructions for final dimensional data and other details prior to making cutout.

Warranties: Please see Use & Care manual or Bosch website for statement of limited warranty.

For more information on our entire line of products, go to www.bosch-home.com/us or call 1-800-944-2904

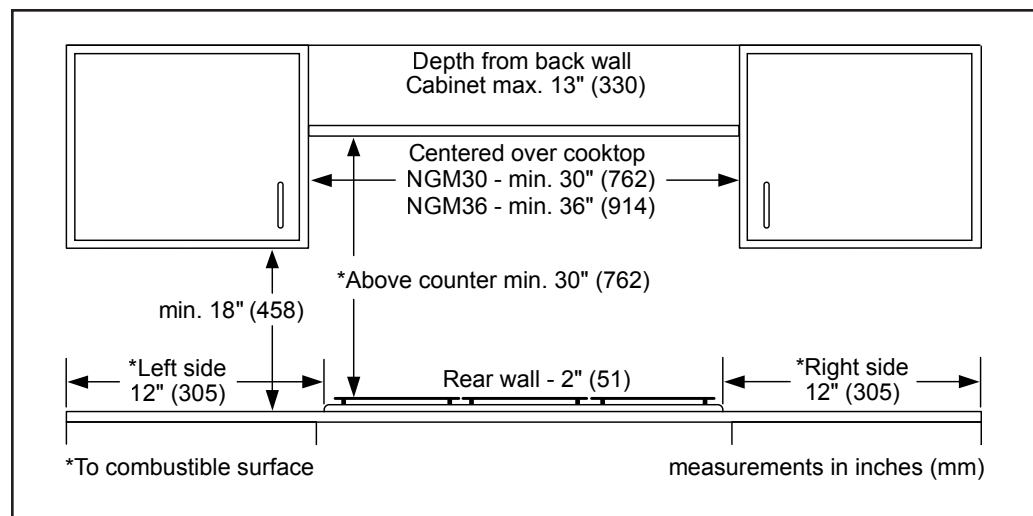
© BSH Home Appliances Corporation. All rights reserved. Bosch is a registered trademark of Robert Bosch GmbH.

30" Gas Cooktop



Benchmark™ Series – Stainless Steel NGMP059UC

Installation Details



Accessories: To purchase Bosch accessories, cleaners & parts please visit www.bosch-home.com/us/store or call 1-800-944-2904 (Mon to Fri 5 am to 6 pm PST, Sat 6 am to 3 pm PST).

Notes: All height, width and depth dimensions are shown in inches. BSH reserves the absolute and unrestricted right to change product materials and specifications, at any time, without notice. Consult the product's installation instructions for final dimensional data and other details prior to making cutout.

Warranties: Please see Use & Care manual or Bosch website for statement of limited warranty.

For more information on our entire line of products, go to www.bosch-home.com/us or call 1-800-944-2904

© BSH Home Appliances Corporation. All rights reserved. Bosch is a registered trademark of Robert Bosch GmbH.