

# 30" Single Wall Oven

Benchmark® Series – Stainless Steel HBLP451UC



**BOSCH**  
Invented for life



**HBLP451UC**  
Stainless Steel

The Bosch wall oven features a QuietClose® door that won't slam shut and a high-resolution TFT user interface.

## Features & Benefits

Dampened hinges softly and quietly guide the QuietClose® door shut.

The color TFT control panel with SteelTouch™ buttons is easy to use.

A full-extension telescopic rack offers safe access to the oven cavity.

The wall oven is designed to be installed flush with cabinetry.

Bosch wall ovens are compatible with most competitors' cutouts.

AutoProbe takes the guesswork out of rare, medium and well done cooking.

## General Properties

Cooking modes	Bake, Variable Broil (hi & low), Roast, Warm, Sabbath, Proof Dough, Convection Bake, Convection Broil, Convection Roast, Pizza, Multi Rack Genuine European Convection, Convection Conversion, AutoProbe, Fast Preheat, EcoChef, Speed Convection (Frozen Foods)
Cleaning type	Self Clean
Telescopic rack	1
Illumination type	Halogen
Interior lights	2

## Oven Performance

Bake element wattages	2,400 W
Broil element wattages	3,800 W
Convection element wattages	2,000 W

## Technical Details

Watts (W)	6,325 W
Circuit breaker (A)	30 A
Volts (V)	240 / 208 V
Frequency (Hz)	60 Hz
Power cord length (in)	50"
Plug type	Fixed Connection, No Plug
Energy source	Electric



## Dimensions & Weight

Overall appliance dimensions (HxWxD) (in)	29" x 29 3/4" x 24 1/2"
Required cutout size – Standard (HxWxD) (in)	27" – 28 5/8" x 28 1/2" x 23 1/2"
Required cutout size – Flush (HxWxD) (in)	29 1/8" x 30 3/4" x 24 1/2"
Oven cavity size (cu. ft.)	4.6
Overall oven interior dimensions (HxWxD) (in)	17 13/16" x 24 1/8" x 18"
Usable oven interior dimensions (HxWxD) (in)	12 5/16" x 23 1/4" x 15 1/4"
Net Weight (lbs)	149 lbs

## Accessories—Included

Included	1 Telescopic and 2 Standard Oven Racks, Temperature Probe, Broiler Pan
----------	--

## Accessories—Optional



**HEZTR301**  
30" Telescopic Rack



† To be fully ADA compliant, these units must be installed according to ADA guidelines. Please check current ADA requirements for guidance on installation.

**Accessories:** To purchase Bosch accessories, cleaners & parts please visit [www.bosch-home.com/us/store](http://www.bosch-home.com/us/store) or call 1-800-944-2904 (Mon to Fri 5 am to 6 pm PST, Sat 6 am to 3 pm PST).

**Notes:** All height, width and depth dimensions are shown in inches. BSH reserves the absolute and unrestricted right to change product materials and specifications, at any time, without notice. Consult the product's installation instructions for final dimensional data and other details prior to making cutout.

**Warranties:** Please see Use & Care manual or Bosch website for statement of limited warranty.

**For more information on our entire line of products, go to [www.bosch-home.com/us](http://www.bosch-home.com/us) or call 1-800-944-2904**

© BSH Home Appliances Corporation. All rights reserved. Bosch is a registered trademark of Robert Bosch GmbH.

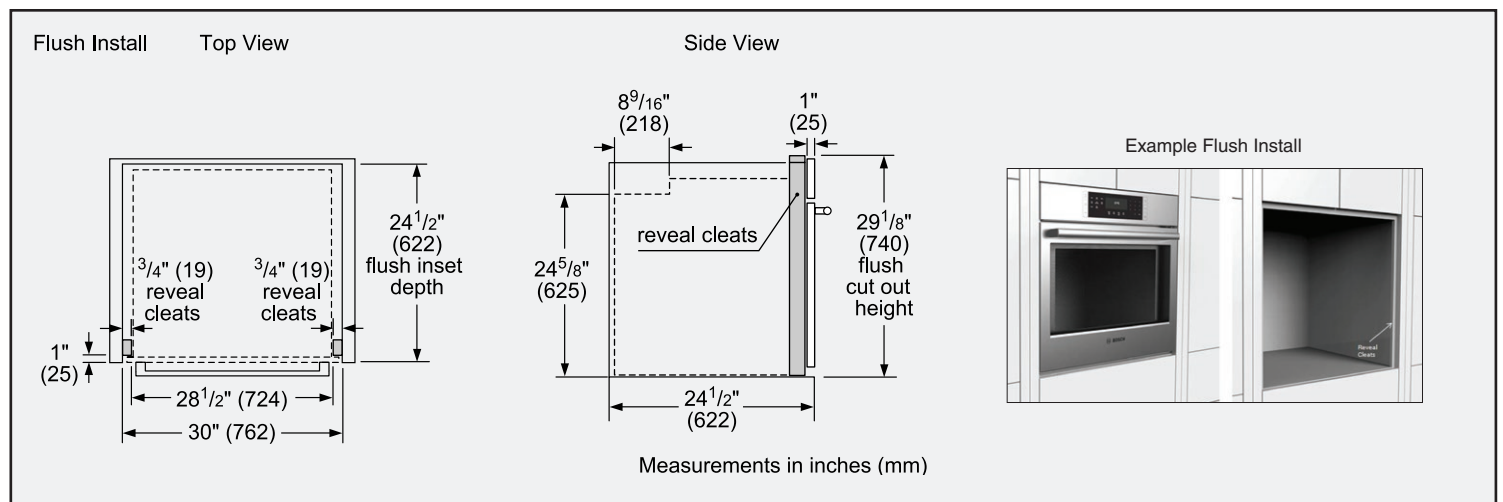
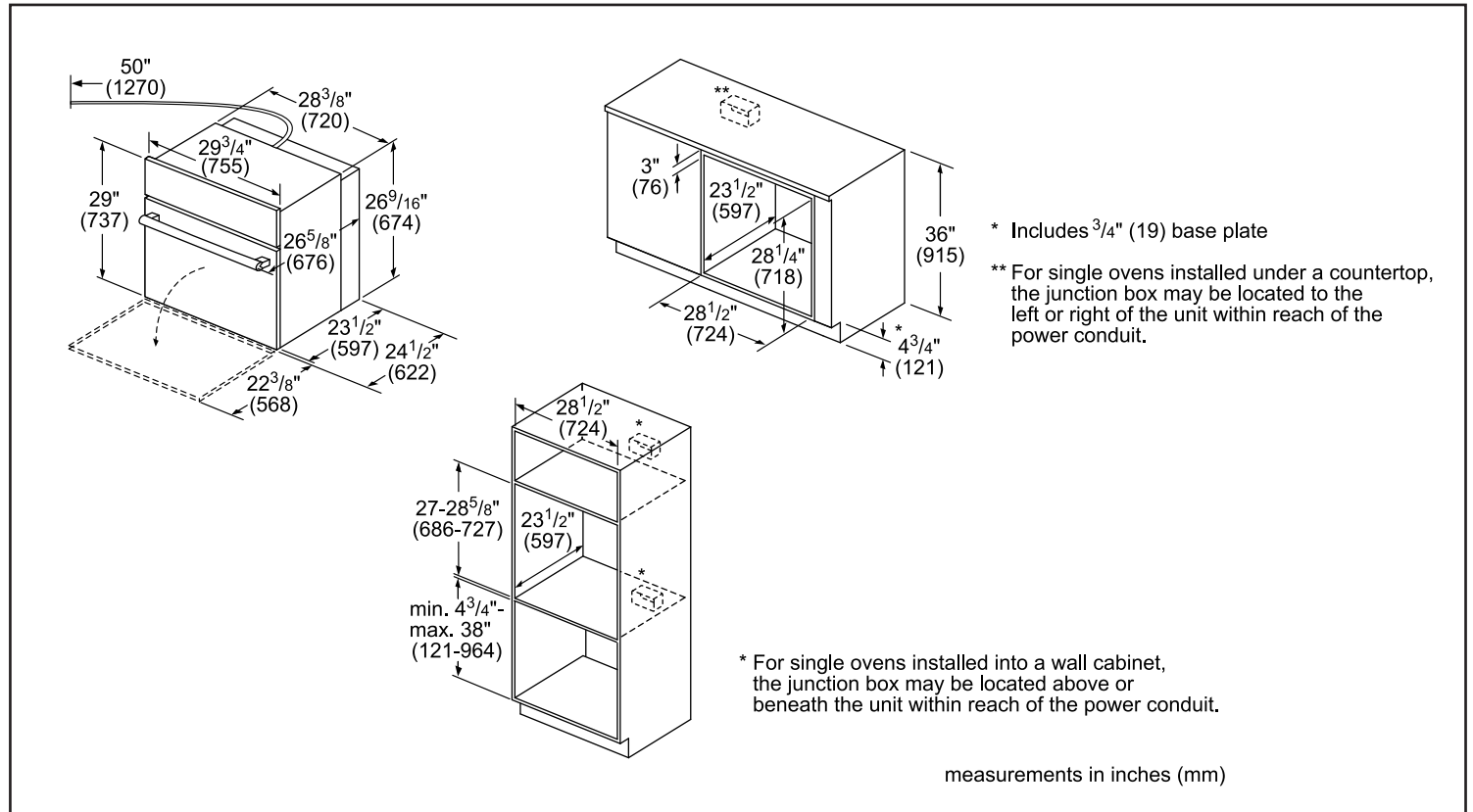
# 30" Single Wall Oven

Benchmark® Series – Stainless Steel HBLP451UC



**BOSCH**  
Invented for life

## Installation Details



**Accessories:** To purchase Bosch accessories, cleaners & parts please visit [www.bosch-home.com/us/store](http://www.bosch-home.com/us/store) or call 1-800-944-2904 (Mon to Fri 5 am to 6 pm PST, Sat 6 am to 3 pm PST).

**Notes:** All height, width and depth dimensions are shown in inches. BSH reserves the absolute and unrestricted right to change product materials and specifications, at any time, without notice. Consult the product's installation instructions for final dimensional data and other details prior to making cutout.

**Warranties:** Please see Use & Care manual or Bosch website for statement of limited warranty.

**For more information on our entire line of products, go to [www.bosch-home.com/us](http://www.bosch-home.com/us) or call 1-800-944-2904**

© BSH Home Appliances Corporation. All rights reserved. Bosch is a registered trademark of Robert Bosch GmbH.

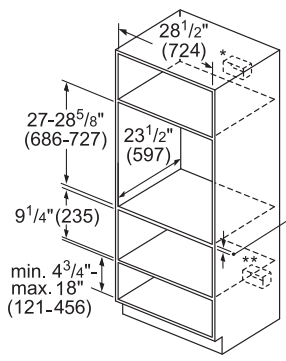
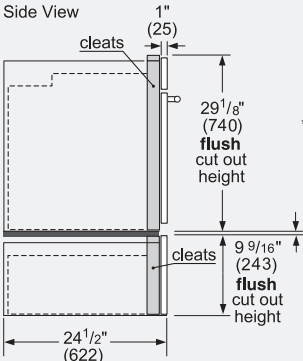
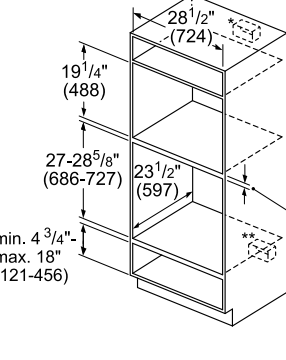
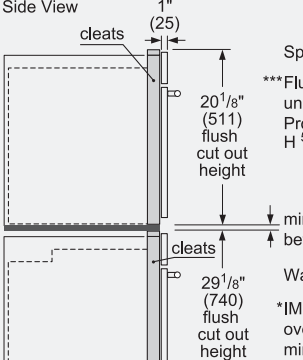
# 30" Single Wall Oven

Benchmark® Series – Stainless Steel HBLP451UC



**BOSCH**  
Invented for life

## Installation Details

<p><b>Standard Installation</b> 30" Single Oven over Storage or Warming Drawer</p>  <p>* Wall oven junction box may be located above or right or left of the unit within reach of the power conduit.</p> <p>** Electrical hook up may be located below (depending on space) or next to the drawer within the reach of the power cord.</p> <p>minimum <math>\frac{3}{4}</math>" (18mm) required between cutouts</p> <p>measurements in inches (mm)</p>	<p><b>Flush Installation</b> Single Oven over Storage or Warming Drawer</p> <p>Side View</p>  <p>Single Wall Oven</p> <p>* IMPORTANT: base has to be able to support oven weight. Please check oven manual for minimum weight requirements.</p> <p>Warming Drawer</p> <p>measurements in inches (mm)</p>
<p><b>Standard Installation</b> 30" Speed Oven or Microwave over Single Oven***</p>  <p>* Junction box may be located above or next to the unit within reach of the power cord.</p> <p>** Junction box may be located below (depending on space) or next to the unit within reach of the power cord.</p> <p>*** Most combinations available as combo oven (one cut out, one electrical hook up).</p> <p>Minimum dimension between cut outs:</p> <ul style="list-style-type: none"> <li>• 1" (25 mm) for wall oven cut out height of 28<math>\frac{5}{8}</math>"</li> <li>• 2<math>\frac{5}{8}</math>" (67 mm) for wall oven cut out height of 27"</li> </ul> <p>measurements in inches (mm)</p>	<p><b>Flush Installation</b> Speed Oven or Microwave over 30" Single Oven**</p> <p>Side View</p>  <p>Speed Oven or Microwave</p> <p>*** Flush installation requires a base plate underneath the body: 30" Products – Dimensions: H 5<math>\frac{9}{16}</math>" (8) x W 28<math>\frac{1}{2}</math>" (724) x D 22<math>\frac{1}{2}</math>" (571)</p> <p>Wall Oven</p> <p>* IMPORTANT: Base has to be able to support oven weight. Please check oven manual for minimum weight requirements.</p> <p>** Most combinations available as combo oven (one cut out, one electrical hook up).</p> <p>measurements in inches (mm)</p>

**Accessories:** To purchase Bosch accessories, cleaners & parts please visit [www.bosch-home.com/us/store](http://www.bosch-home.com/us/store) or call 1-800-944-2904 (Mon to Fri 5 am to 6 pm PST, Sat 6 am to 3 pm PST).

**Notes:** All height, width and depth dimensions are shown in inches. BSH reserves the absolute and unrestricted right to change product materials and specifications, at any time, without notice. Consult the product's installation instructions for final dimensional data and other details prior to making cutout.

**Warranties:** Please see Use & Care manual or Bosch website for statement of limited warranty.

**For more information on our entire line of products, go to [www.bosch-home.com/us](http://www.bosch-home.com/us) or call 1-800-944-2904**

© BSH Home Appliances Corporation. All rights reserved. Bosch is a registered trademark of Robert Bosch GmbH.