

# 24" Counter-Depth Bottom-Freezer with Ice Maker



800 Series – Stainless Steel B11CB81SSS



**B11CB81SSS**  
Stainless Steel

The convenient built-in ice maker meets all of your entertaining needs while the hidden hinge and reversible doors allow for a next-to-wall placement and nearly flush installation.

## Features & Benefits

The LED lighting shines exceptionally bright and saves energy.

Ideal for compact kitchen layouts in metropolitan areas.

The HydroFresh drawer keeps fruit and vegetables fresh longer.

ENERGY STAR® qualified for energy efficiency.

Use the wine rack to store your favorite wine bottles.

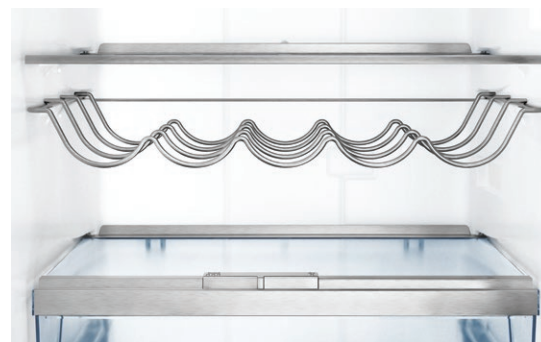
General Properties	
Reversible door hinge	Yes
Water filter	No
Lighting	LED
Defrost process refrigerator section	Frost-free
Number of shelves – refrigerator	3
Adjustable shelves – refrigerator	2
Shelf material – refrigerator	Tempered glass
Type of shelves – refrigerator	Spill-proof glass
Door storage bins	3
Humidity control drawer	1
Defrost process freezer section	Automatic
Number of drawers – freezer	2
Adjustable shelves – freezer	N/A
Shelf material – freezer	Metal
Type of shelves – freezer	Wire
Ice maker	Yes
Quick ice	N/A
Capacity	
Total unit gross capacity (cu. ft.) – AHAM	11 cu. ft.
Refrigerator gross capacity (cu. ft.)	7.7 cu. ft.
Freezer gross capacity (cu. ft.)	3.3 cu. ft.

Technical Details	
Current (A)	15 A
Volts (V)	120 V
Frequency (Hz)	60 Hz
Power cord length (in.)	94"
Plug type	120V-3 prong

Dimensions & Weight	
Appliance dimensions (H x W x D) (in.)	78 7/8" x 23 1/2" x 23 7/8"
Required cutout size (H x W x D) (in.)	79 1/2" x 24" x 24"
Net weight (lbs)	181 lbs

Efficiency	
ENERGY STAR® qualified	Yes
Energy consumption (kWh/yr)	357 kWh

Accessories—Included	
Included	Wine rack, ice tray, egg tray, bottle holder



For help and assistance with Bosch accessories please visit: [www.bosch-eshop.com/eshop/bosch/us](http://www.bosch-eshop.com/eshop/bosch/us) or call 1-800-944-2904 Mon-Fri 5am to 6pm PST Sat 6am to 3pm PST

Notes: All height, width and depth dimensions are shown in inches. BSH reserves the absolute and unrestricted right to change product materials and specifications, at any time, without notice. Consult the product's installation instructions for final dimensional data and other details prior to making cutout. Applicable product warranty can be found in accompanying product literature or you may contact your account manager for further details.

Warranties: Bosch warrants that the Product is free from defects in materials and workmanship for a period of three hundred and sixty-five (365) days from the date of purchase. The foregoing timeline begins to run upon the date of purchase, and shall not be stalled, tolled, extended, or suspended, for any reason whatsoever. This Product is also warranted to be free from cosmetic defects in material and workmanship (such as scratches of stainless steel, paint/porcelain blemishes, chip, dents, or other damage) to the finish of the Product, for a period of thirty (30) days from the date of purchase or closing date for new construction. This cosmetic warranty excludes slight color variations due to inherent differences in painted and porcelain parts, as well as differences caused by kitchen lighting, product location, or other similar factors. This cosmetic warranty specifically excludes any display, floor, "As Is", or "B" stock appliances.

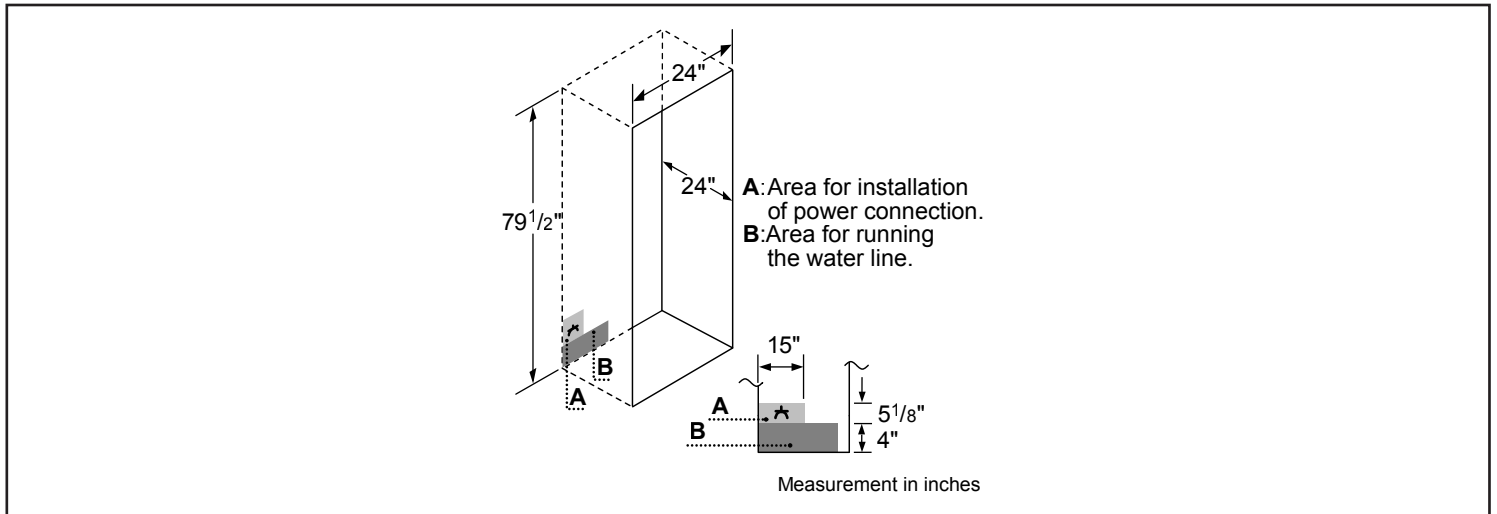
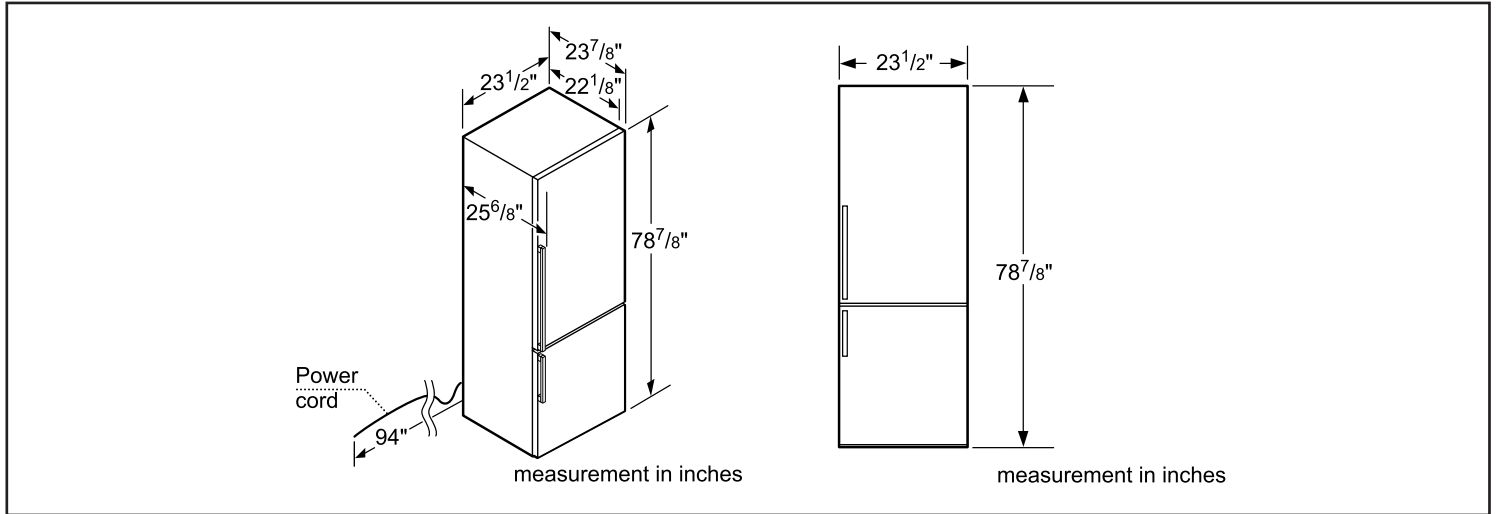
For more information on our entire line of products, go to [www.bosch-home.com/us](http://www.bosch-home.com/us) or call 1-800-944-2904

© BSH Home Appliances Corporation. All rights reserved. Bosch is a registered trademark of Robert Bosch GmbH.

# 24" Counter-Depth Bottom-Freezer with Ice Maker

800 Series – Stainless Steel B11CB81SSS

## Installation Details



For help and assistance with Bosch accessories please visit: [www.bosch-eshop.com/eshop/bosch/us](http://www.bosch-eshop.com/eshop/bosch/us) or call 1-800-944-2904 Mon-Fri 5am to 6pm PST Sat 6am to 3pm PST

Notes: All height, width and depth dimensions are shown in inches. BSH reserves the absolute and unrestricted right to change product materials and specifications, at any time, without notice. Consult the product's installation instructions for final dimensional data and other details prior to making cutout. Applicable product warranty can be found in accompanying product literature or you may contact your account manager for further details.

Warranties: Bosch warrants that the Product is free from defects in materials and workmanship for a period of three hundred and sixty-five (365) days from the date of purchase. The foregoing timeline begins to run upon the date of purchase, and shall not be stalled, tolled, extended, or suspended, for any reason whatsoever. This Product is also warranted to be free from cosmetic defects in material and workmanship (such as scratches of stainless steel, paint/porcelain blemishes, chip, dents, or other damage) to the finish of the Product, for a period of thirty (30) days from the date of purchase or closing date for new construction. This cosmetic warranty excludes slight color variations due to inherent differences in painted and porcelain parts, as well as differences caused by kitchen lighting, product location, or other similar factors. This cosmetic warranty specifically excludes any display, floor, "As Is", or "B" stock appliances.

For more information on our entire line of products, go to [www.bosch-home.com/us](http://www.bosch-home.com/us) or call 1-800-944-2904

© BSH Home Appliances Corporation. All rights reserved. Bosch is a registered trademark of Robert Bosch GmbH.